

Features	Applications
<ul style="list-style-type: none"> ● Extremely small size ● Extremely fast response time ● Excellent SMD handling ● Stable performance over life ● Very low capacitance ● High insulation resistance ● RoHS-compatible ● UL-identification, 	<ul style="list-style-type: none"> ● Splitter ● PCI Cards ● Modem ● Line cards

Electrical specifications

Part Number	DC spark-over Voltage	Max. Impulse Breakdown Voltage	Discharge Current (8/20us)	AC discharge Current	Impulse Life (10/1000us)	Minimum Insulation Resistance		Max. Capacitance 1MHz
	100V/S	1KV/us	10 times	50Hz, 1S	100A	Test Voltage DC(V)	(GΩ)	(Pf)
	%	V	KA	A	Times			

DIP

3R75TA-5	75±30	600	5	5	100	50	1	1
3R90TA-5	90±30	600	5	5	100	50	1	1
3R150TA-5	150±20	650	5	5	100	100	1	1
3R230TA-5	230±20	700	5	5	100	100	1	1
3R350TA-5	350±20	900	5	5	100	100	1	1
3R420TA-5	420±20	950	5	5	100	100	1	1
3R470TA-5	470±20	1100	5	5	100	100	1	1
3R600TA-5	600±20	1300	5	5	100	100	1	1

Glow Voltage at 10mA..... ~60V

Arc Voltage at 1A..... ~10V

Glow to Arc transition Current..... ~0.3A

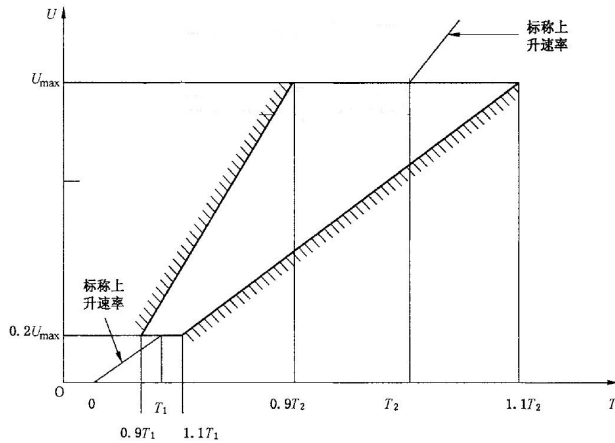
Weight..... ~1g

Operation and storage temperature..... -40~90°C

Climatic category (IEC 60068-1)..... 40/90/21

Surface treatment..... Matte-tin plated

DC breakdown voltage



8/20us, Test wave

$$T1=1.25T=8\mu s \pm 20\%$$

$$T2=20\mu s \pm 20\%$$

10/700us, Test Wave

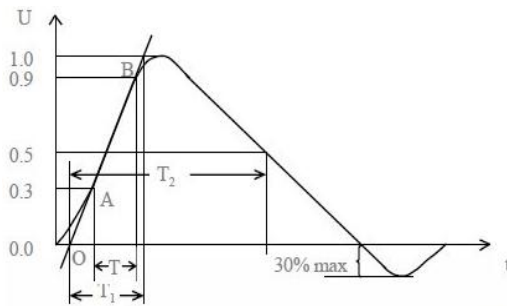
$$T1=1.67T=10\mu s \pm 20\%$$

$$T2=700\mu s \pm 20\%$$

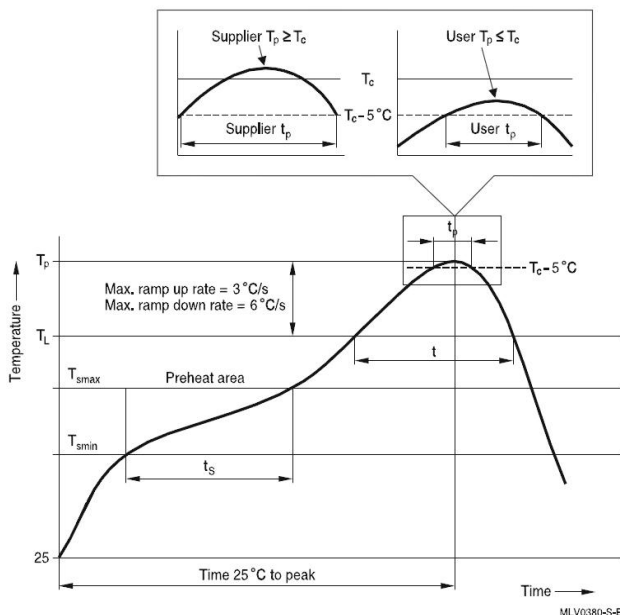
10/1000us, Test Wave

$$T1=1.67T=10\mu s \pm 20\%$$

$$T2=1000\mu s \pm 20\%$$



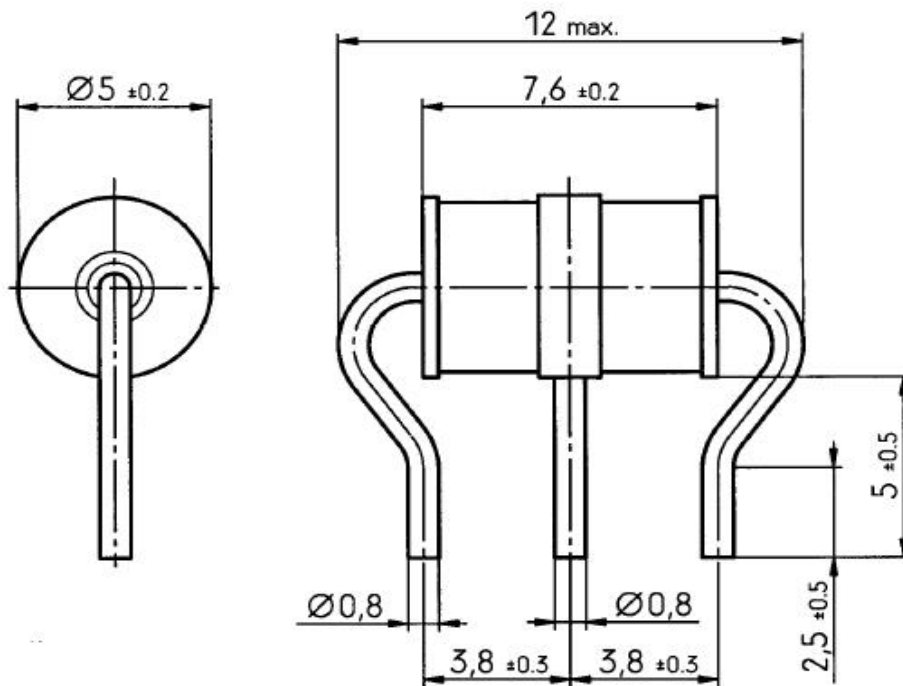
Recommended wave soldering profile



Reflow profile features		Sn- Pb eutectic assembly	Pb-free assembly
Preheat and soak			
- Temperature min	T_{smin}	100 °C	150 °C
- Temperature max	T_{smax}	150 °C	200 °C
- Time	t_{smin} to t_{smax}	60 ... 120 s	60 ... 180 s
Average ramp-up rate	T_{smax} to T_p	max. 3 °C/ s	max. 3 °C/ s
Liquidous temperature	T_L	183 °C	217 °C
Time at liquidous	t_L	60 ... 150 s	60 ... 150 s
Peak package body temperature *, Classification temperature **	T_p, T_c	220 ... 235 °C **	245 ... 260 °C **
Time (t_p) ** within 5 °C of the specified classification temperature (T_c)		20 s ***	30 s ***
Average ramp-down rate	T_p to T_{smax}	max. 6 °C/ s	max. 6 °C/ s
Time 25 °C to peak temperature		max. 6 min	max. 8 min
* = Tolerance for peak profile temperature (T_p) is defined as a supplier minimum and a user maximum. ** = For details please refer to JEDEC J-STD-020D. *** = Tolerance for time at peak profile temperature (t_p) is defined as a supplier minimum and a user maximum.			

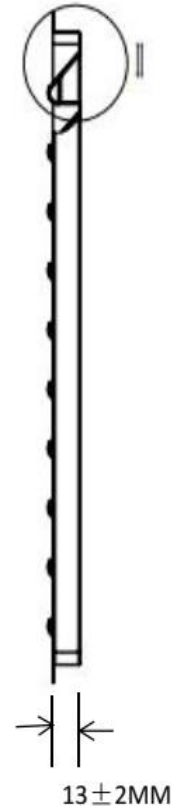
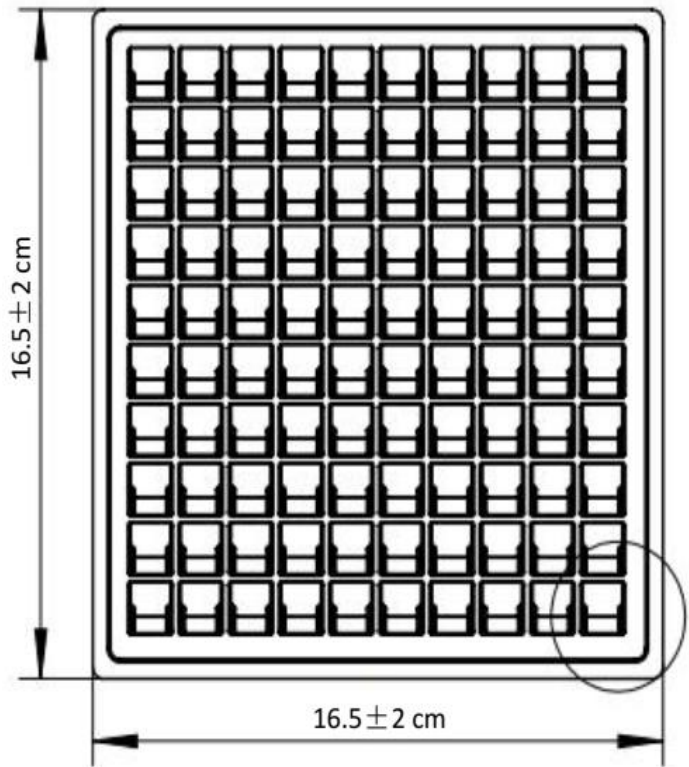
- 1) Sampling size in accordance to AQL(C=0)
- 2) DC spark-over voltage $\pm 30\%$ after load
- 3) Tests according to ITU-T Rec. K. 12 and IEC61643-1

Dimensions



Wire tin-plated

Packaging



10x10=100

100pcs/box