

Features	Applications
<ul style="list-style-type: none"> ● Extremely small size ● Extremely fast response time ● Excellent SMD handling ● Stable performance over life ● Very low capacitance ● High insulation resistance ● RoHS-compatible ● UL-identification, 	<ul style="list-style-type: none"> ● Splitter ● PCI Cards ● Modem ● Line cards

Electrical specifications

Part Number	DC spark-over Voltage	Max. Impulse Breakdown Voltage	Discharge Current (8/20us)	AC discharge Current	Impulse Life (10/1000us)	Minimum Insulation Resistance		Max. Capacitance 1MHz
	100V/S	1KV/us	10 times	50Hz, 1S	100A	Test Voltage DC(V)	(GΩ)	(Pf)
	%	V	KA	A	Times			

DIP

3R75TA-5	75±30	600	5	5	100	50	1	1
3R90TA-5	90±30	600	5	5	100	50	1	1
3R150TA-5	150±20	650	5	5	100	100	1	1
3R230TA-5	230±20	700	5	5	100	100	1	1
3R350TA-5	350±20	900	5	5	100	100	1	1
3R420TA-5	420±20	950	5	5	100	100	1	1
3R470TA-5	470±20	1100	5	5	100	100	1	1
3R600TA-5	600±20	1300	5	5	100	100	1	1

Glow Voltage at 10mA..... ~60V

Arc Voltage at 1A..... ~10V

Glow to Arc transition Current..... ~0.3A

Weight..... ~1g

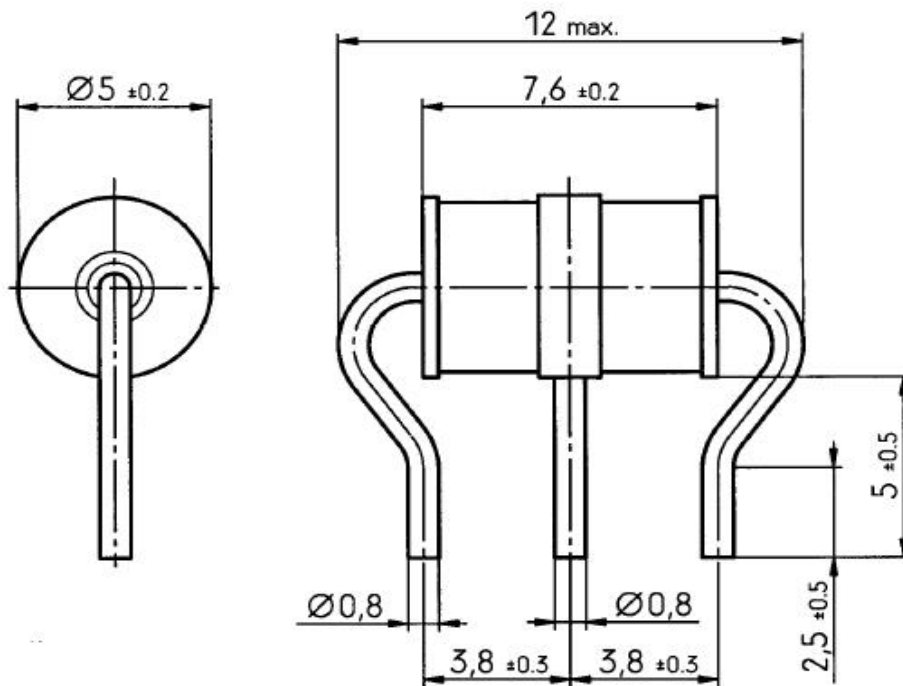
Operation and storage temperature..... -40~90°C

Climatic category (IEC 60068-1)..... 40/90/21

Surface treatment..... Matte-tin plated

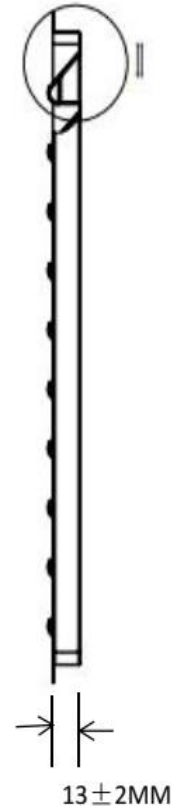
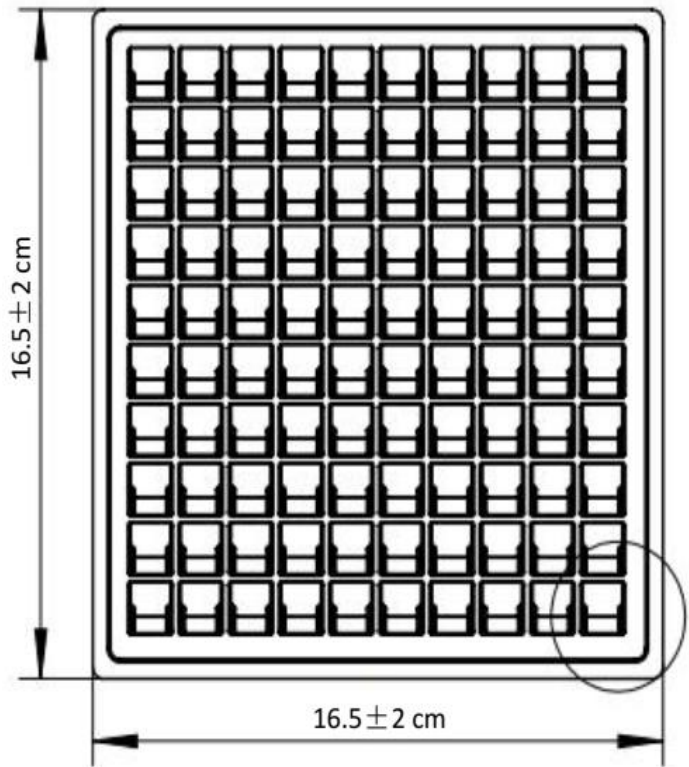
- 1) Sampling size in accordance to AQL(C=0)
- 2) DC spark-over voltage $\pm 30\%$ after load
- 3) Tests according to ITU-T Rec. K. 12 and IEC61643-1

Dimensions



Wire tin-plated

Packaging



10x10=100

100pcs/box