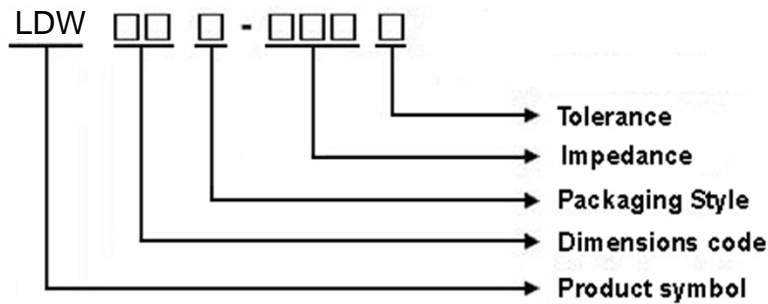


**1 Scope:** This specification applies to LDW31T FILTER

**2 Part Numbering:**



**3 Rating:**

Operating Temperature:  $-40^{\circ}\text{C} \sim 105^{\circ}\text{C}$  (Including self - temperature rise)

Storage Temperature:  $20^{\circ}\text{C} \sim 25^{\circ}\text{C}$  R.H. 65% (In Tape & Reel Condition)

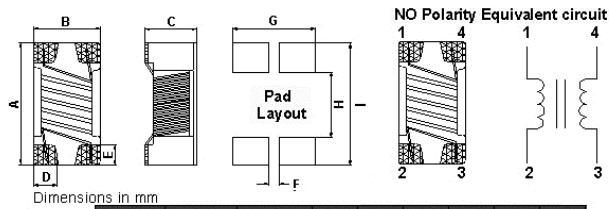
**4 Marking:**



**5 Standard Testing Condition**

	Unless otherwise specified	In case of doubt
Temperature	Ordinary Temperature(15 to 35°C)	20 to 30°C
Humidity	Ordinary Humidity(25 to 85% RH)	50 to 80 %RH

## 6 Configuration and Dimensions:



Dimensions in mm

A	B	C	D	E	F	G	H	I
3.2±0.2	1.6±0.2	1.9±0.2	0.5	0.6	0.4	1.6	1.6	3.7

## 7 Electrical Characteristics:

Part No.	Z (Ω)	RDC (Ω)Max.	IDC (mA)	Rated Voltage (Vdc)	Withstanding Voltage (Vdc)	Insulation Resistance (MΩ)(min)	Tolerance (±%)	Test Freq. (MHz)
LDW31T-900M	90	0.3	370	50	125	10	20	100
LDW31T-121M	120	0.3	370	50	125	10	20	100
LDW31T-161M	160	0.4	340	50	125	10	20	100
LDW31T-221M	220	0.4	320	50	125	10	20	100
LDW31T-261M	260	0.5	310	50	125	10	20	100
LDW31T-601M	600	0.8	260	50	125	10	20	100
LDW31T-102M	1000	1	230	50	125	10	20	100
LDW31T-222M	2200	1.2	200	50	125	10	20	100

**NOTE:** □-tolerance M=±20%

1. Operating temperature range – 40 °C ~ 105 °C (Including self - temperature rise)

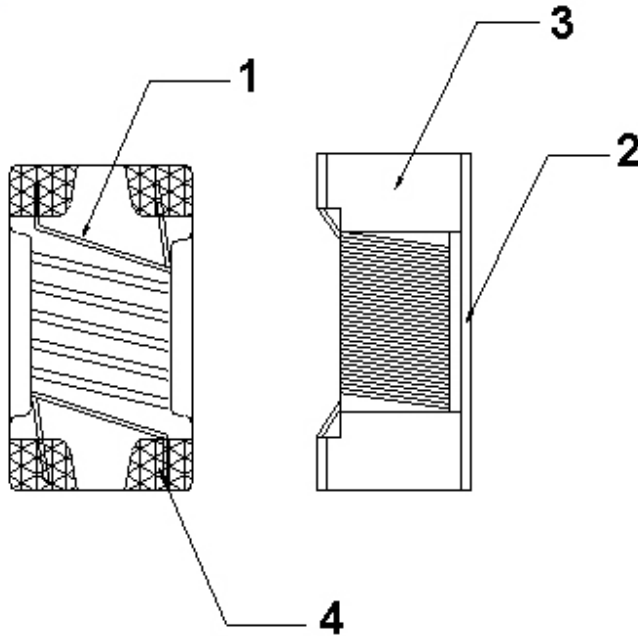
2. RDC: SINGLE WIRE TEST VALUE

3. IDC for Inductance drop 10% from its value without current.

"-N" FOR COMPLETELY LEAD FREE TYPE(INCLUDING FERRITE BODY & SOLDER)

## 8 LDW31T Series

### 8.1 Construction:



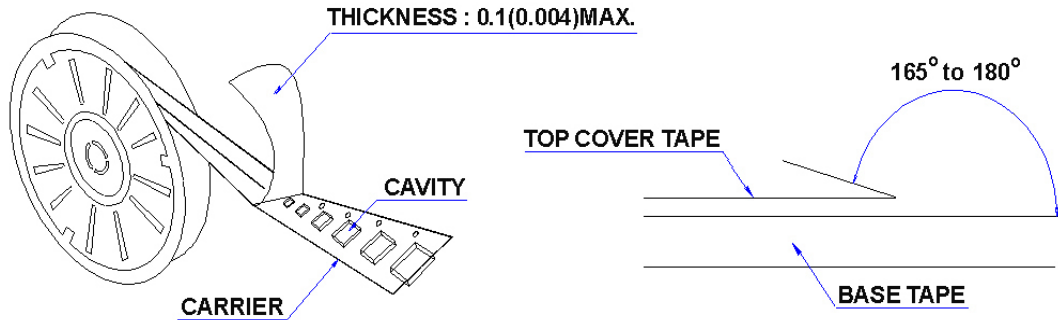
### 8.2 Material List:

No	Part	Material
1	WIRE	Grade 180
2	Cover sheet	FERRITE
3	CORE	FERRITE
4	TERMINAL	Ag/Cu/Ni/Sn

## 9 Packaging:

### 9.1 Packaging -Cover Tape

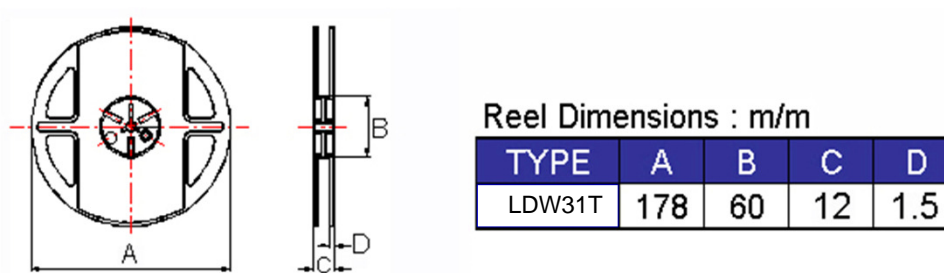
The force for tearing off cover tape is 10 to 100 grams in the arrow direction.



### 9.2 Packaging Quantity

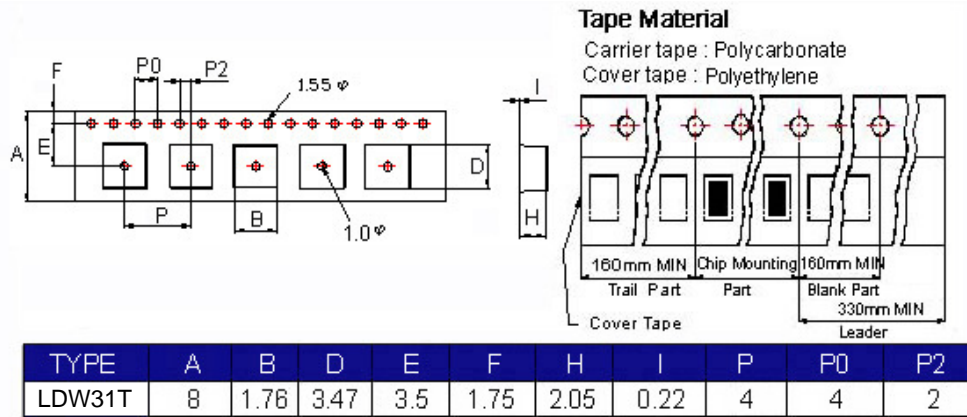
TYPE	PCS/REEL
LDW31T	2000

### 9.3 Reel Dimensions

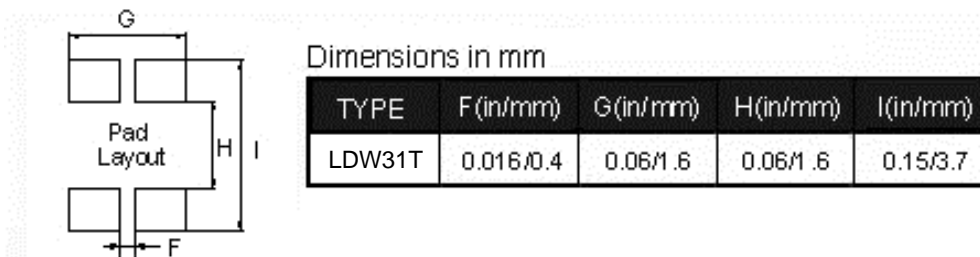


## 9 Packaging:

### 9.4 Tape Dimensions in mm



## 10 Recommended Land Pattern:



## 11 Note:

1. Please make sure that your product has been evaluated and confirmed against your specifications when our product is mounted to your product.
2. Do not knock nor drop.
3. All the items and parameters in this product specification have been prescribed on the premise that our product is used for the purpose, under the condition and in the environment agreed upon between you and us. You are requested not to use our product deviating from such agreement.
4. Please keep the distance between transformer/coil and other components (refer to the standard IEC 950)
5. The moisture sensitivity level (MSL) of products is classified as level 1.

## 12 Graph: LDW31T-900M

