

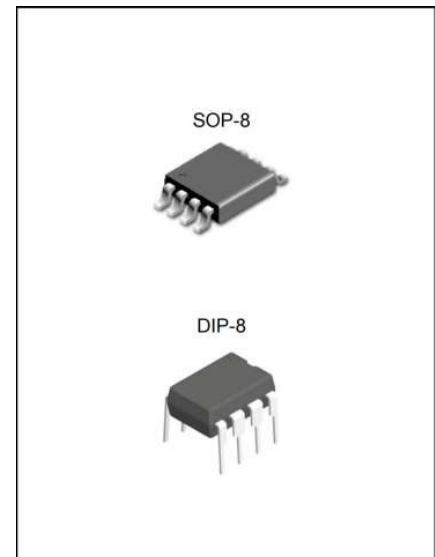
## Advanced-Failsafe, low slew-rate, +15kV ESD protection, 500Kbps rate transmission RS-485 Transceiver SP3085

### Overview

The SP3085 is a high-speed transceiver for half-duplex communication for RS-485/RS-422 communication that contains a driver and a receiver.

The SP3085 has fail-safe circuit. The low slew rate driver reduces EMI and back-off due to improper termination matching cables and achieves up to 500Kbps Error-free data transmission. With 15kV ESD protection.

SP3085 are rated for industrial (-40 to +85°C) operating temperatures. Receivers have exceptionally high input impedance, which places only 1/8th the standard load on a shared bus. Up to 256 transceivers may coexist while preserving full signal margin.



### Features

- The I/O pins are protected against electrostatic discharge:  $\pm 15\text{kV}$  HBM
- All other pins are protected against 3 levels of electrostatic discharge (ESD):  $\pm 8\text{kV}$  HBM
- up to 256 devices on the bus
- +5V operating voltage
- With slope limiting function, the maximum data rate is 500Kbps
- Weak current shutdown mode operating current: 1nA
- Current limiting and thermal shutdown for driver overload protection
- Package: SOP8, DIP8

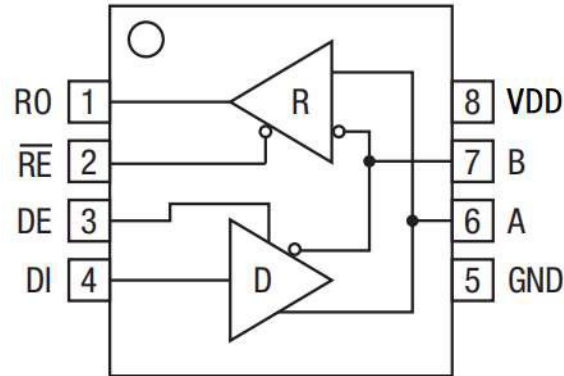
### Application

- RS485/RS422
- Industrial process control
- Building automation networks
- Motor control
- EMI sensitive transceiver applications

### Ordering information

Type	Package	Packaging	MPQ
SP3085	SOP8	Reels	4000PCS

## Block diagram



## Pin description

Pins	Symbol	Function	attribute
1	RO	Receiver output: IF $A-B \geq -0.05V$ , RO is high; IF $A-B \leq -0.2V$ , RO is low; IF A and B are dangling or short, RO is also high.	O
2	$\overline{RE}$	Receiver output enable: $\overline{WHEN}$ RE is low, RO is enabled; $\overline{When}$ RE is high, RO is at high impedance.	I
3	DE	Driver output enable: Enable DE higher, the output of the driver, Y and Z, are enabled; they are at high impedance when DE are low.	I
4	DI	Driver input: DI is low, A is low, B is high; DI is high, A is high, B is low;	I
5	GND	Earth	
6	A	The input of the receiver and the output of the driver.	I/O
7	B	The input of the receiver and the output of the driver.	I/O
8	VDD	Power supply	

## Function Tables

The SP3085 high speed half-duplex transceiver consists of a driver and receiver with a 1/8 unit load input impedance and up to 256 transceivers on the bus.

### RECEIPT

Input			Output
$\overline{RE}$	DE	A - B	RO
L	X	$\geq -0.05V$	H
L	X	$\leq -0.2V$	L
L	X	Open/shorted	H
H	H	X	Z
H	L	X	Z

### TRANSMISSION

Input			Output	
$\overline{RE}$	DE	DI	B	A
X	H	H	L	H
X	H	L	H	L
L	L	X	Z	Z
H	L	X	Z	

## Absolute Maximum Ratings

Unless otherwise specified,  $T_{amb} = 25\text{ }^{\circ}\text{C}$

Parameter	Symbol	Value	Unit
Supply voltage	$V_{DD}$	-0.5~6	V
Limit input/output voltage	$V_{IN}/V_{OUT}$	GND-0.3~ $V_{DD}+0.3$	V
A/B limit input/output voltage	$V_{IN\ A/B}/V_{OUT\ A/B}$	-7~12	V
Operating ambient temperature	$T_{amb}$	-40~85	$^{\circ}\text{C}$
Storage temperature	$T_{stg}$	-65~150	$^{\circ}\text{C}$

## DC electrical characteristics

( $V_{CC} = 5V \pm 5\%$ ,  $T_A = T_{MIN}$  to  $T_{MAX}$ , unless otherwise noted.) (Notes 1, 2)

PARAMETER	SYMBOL	CONDITIONS	MIN	TYP	MAX	UNITS
Differential Driver Output (no load)	$V_{OD1}$				5	V
Differential Driver Output (with load)	$V_{OD2}$	$R = 50\Omega$ (RS-422) <sup>(1)</sup>	2			V
		$R = 27\Omega$ (RS-485) <sup>(1)</sup>	1.5		5	
Change in Magnitude of Driver Differential Output Voltage for Complementary Output States	$\Delta V_{OD}$	$R = 27\Omega$ or $50\Omega$ <sup>(1)</sup>			0.2	V
Driver Common-Mode Output Voltage	$V_{OC}$	$R = 27\Omega$ or $50\Omega$ <sup>(1)</sup>		$V_{CC}/2$	3	V
Change in Magnitude of Driver Common-Mode Output Voltage for Complementary Output States	$\Delta V_{OC}$	$R = 27\Omega$ or $50\Omega$ <sup>(1)</sup>			0.2	V
Input High Voltage	$V_{IH1}$	DE, DI, $\overline{RE}$	2.0			V
Input Low Voltage	$V_{IL1}$	DE, DI, $\overline{RE}$			0.8	V
Input Current	$I_{IN1}$	DE, DI, $\overline{RE}$			$\pm 2$	$\mu A$
Input Current (A, B)	$I_{IN2}$	DE = 0V; $V_{CC} = 0V$ or $5.25V$ ,	$V_{IN} = 12V$		125	$\mu A$
			$V_{IN} = -7V$		-75	
Driver Output Short-Circuit Current	$I_{OD1}$	$-7V \leq V_{OUT} \leq V_{DD}$	-250			mA
		$0V \leq V_{OUT} \leq 12V$			250	mA
		$0V \leq V_{OUT} \leq V_{DD}$	$\pm 25$			mA

Receiver Differential Threshold Voltage	$V_{TH}$	$-7V \leq V_{CM} \leq 12V$	-250		-10	mV
Receiver Input Hysteresis	$\Delta V_{TH}$			25		mV
Receiver Output High Voltage	$V_{OH}$	$I_o = -4mA$ , $V_{ID} = -50mV$	3.5			V
Receiver Output Low Voltage	$V_{OL}$	$I_o = 4mA$ , $V_{ID} = -200mV$			0.4	V
Three-State (high impedance) Output Current at Receiver	$I_{OZR}$	$0.4V \leq V_o \leq 2.4V$			$\pm 1$	$\mu A$
Receiver Input Resistance	$R_{IN}$	$-7V \leq V_{CM} \leq 12V$	96			k $\Omega$
Receiver Short-Circuit Current	$I_{OSR}$	$0V \leq V_o \leq V_{CC}$		$\pm 80$		mA

No-Load Supply Current	$I_{CC}$	No Load $\overline{RE} = DI = GND$ or $V_{DD}$	DE = $V_{DD}$		480	800	$\mu A$
			DE = GND		450	700	$\mu A$

## Transmission characteristics

Unless otherwise specified,  $V_{DD} = 5V$  5% and  $T_{amb} = 25\text{ }^{\circ}C$

PARAMETER	SYMBOL	CONDITIONS	MIN	TYP	MAX	UNITS
Features slope limiting						
Drive input to Output	$t_{DPLH}$	$R_{DIFF}=50\Omega$ , $C_{L1}=C_{L2}=100pF^{(3)(6)}$	250	720	1000	ns
Drive input to Output	$t_{DPHL}$	$R_{DIFF}=50\Omega$ , $C_{L1}=C_{L2}=100pF^{(3)(6)}$	250	720	1000	ns
$ t_{DPLH}-t_{DPHL} $	$t_{DSKEW}$	$R_{DIFF}=50\Omega$ , $C_{L1}=C_{L2}=100pF^{(3)(6)}$		-3	$\pm 100$	ns
Drive up and down Time	$t_{DR}, t_{DF}$	$R_{DIFF}=50\Omega$ , $C_{L1}=C_{L2}=100pF^{(3)(6)}$	200	530	750	ns
Maximum data transfer rate	$f_{MAX}$			500		kbps
Drive enable delay	$t_{DZH}$	$C_L=100pF, S2$ CLOSED <sup>(4)(7)</sup>			2500	ns
Drive enable delay	$t_{DZL}$	$C_L=100pF, S1$ CLOSED <sup>(4)(7)</sup>			2500	ns
Drive shutdown delay	$t_{DLZ}$	$C_L=15pF, S1$ CLOSED <sup>(4)(7)</sup>			100	ns
Drive shutdown delay	$t_{DHZ}$	$C_L=15pF, S2$ CLOSED <sup>(4)(7)</sup>			100	ns
Receiver input and output Delay	$t_{RPLH}$	$ V_{ID} \geq 2.0V$ Rise and fall time $\leq 15ns^{(5)(8)}$		127	200	ns
Receiver input and output Delay	$t_{RPHL}$			127	200	ns
$ t_{RPLH}-t_{RPHL} $	$t_{RSKD}$	$ V_{ID} \geq 2.0V$ Rise and fall time $\leq 15ns^{(5)(8)}$		3	$\pm 30$	ns
Receiver enable delay	$t_{RZL}$	$C_L=100pF, S1$ CLOSED <sup>(2)(9)</sup>		20	50	ns
Receiver enable delay	$t_{RZH}$	$C_L=100pF, S2$ CLOSED <sup>(2)(9)</sup>		20	50	ns
Receiver shutdown delay	$t_{RLZ}$	$C_L=100pF, S1$ CLOSED <sup>(2)(9)</sup>		20	50	ns
Receiver shutdown delay	$t_{RHZ}$	$C_L=100pF, S2$ CLOSED <sup>(2)(9)</sup>		20	50	ns

Note:

- (1) The test circuit is shown in Figure 1
- (2) The test line is shown in Figure 2
- (3) The test circuit is shown in Figure 3
- (4) The test circuit is shown in Figure 4
- (5) The test line is shown in Figure 5
- (6) The test line is shown in Figure 6
- (7) The test circuit is shown in Figure 7
- (8) The test circuit is shown in Figure 8
- (9) The test line is shown in Figure 9

Test circuit

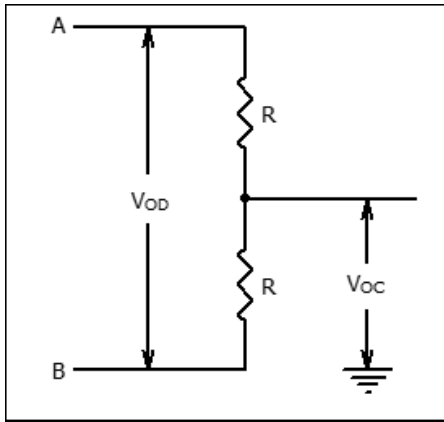


Figure1. Drive DC Test

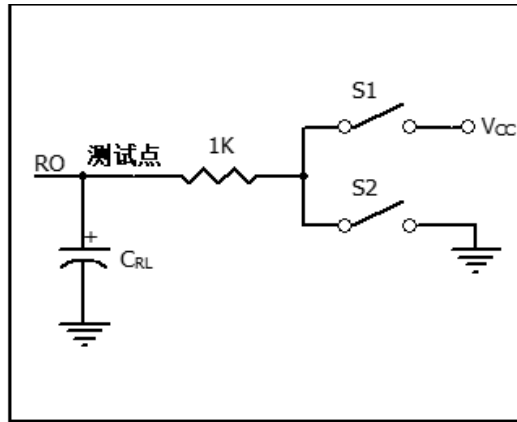


Figure 2. Receiver enable/OFF test

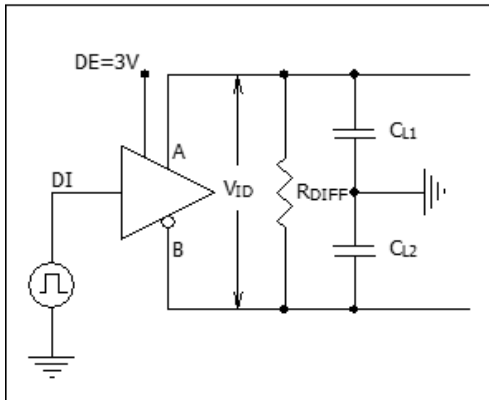


Figure3. Driver switch test

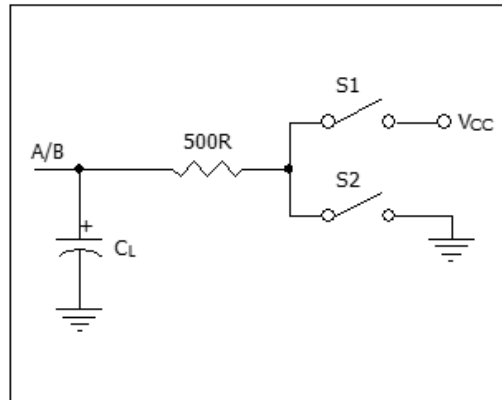


Figure4. Driver enable/OFF test

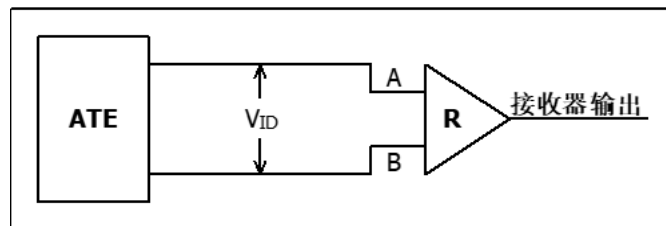


Figure5. Receiver Delay Test Circuit

Switch wave

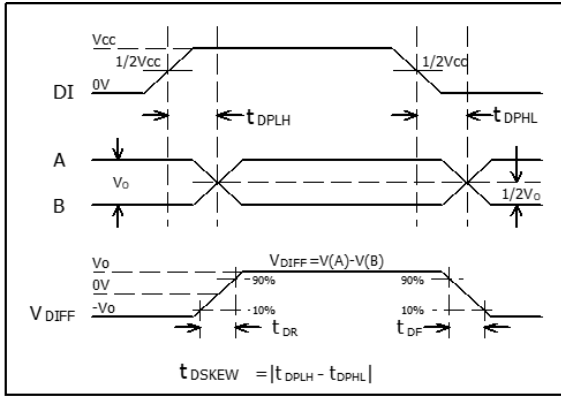


Figure 6. Driver transmission delay

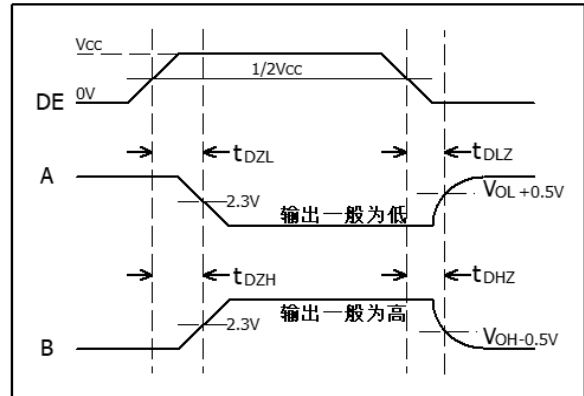


figure 7. Driver enable/OFF timing

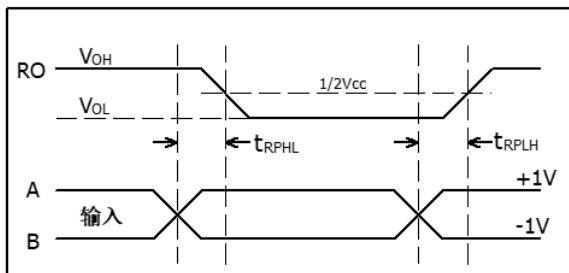


Figure 8. Receiver transmission delay

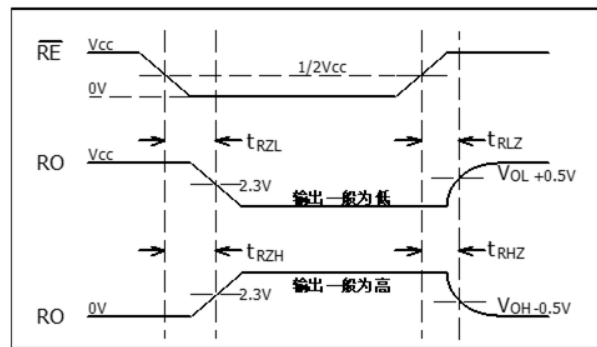


figure 9. Receiver enable/OFF timing

Typical application circuit

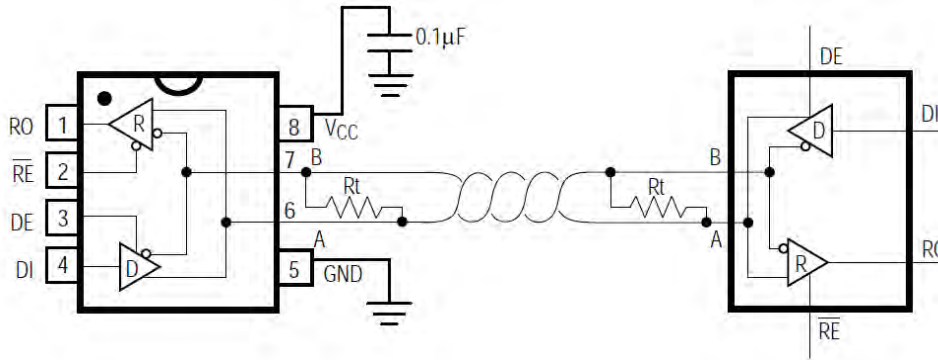


Figure 10 Typical Application Diagram

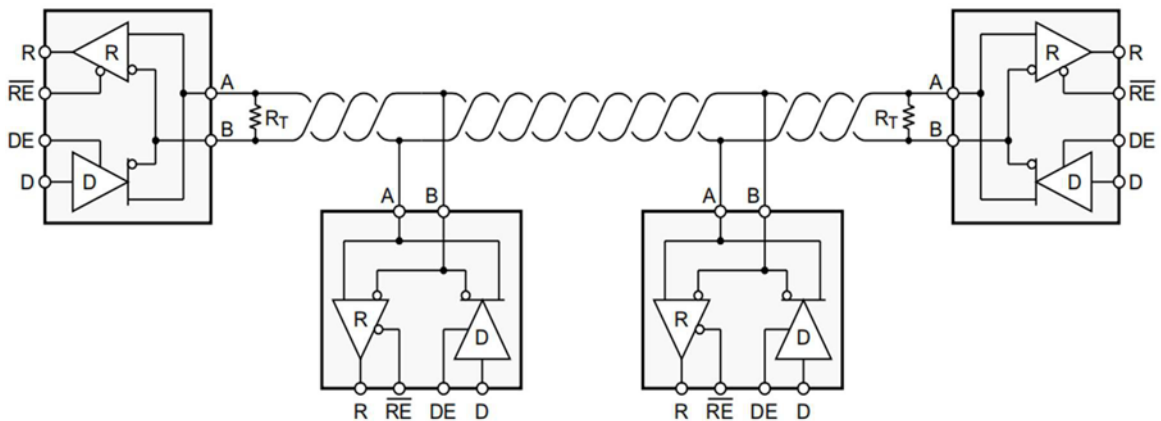
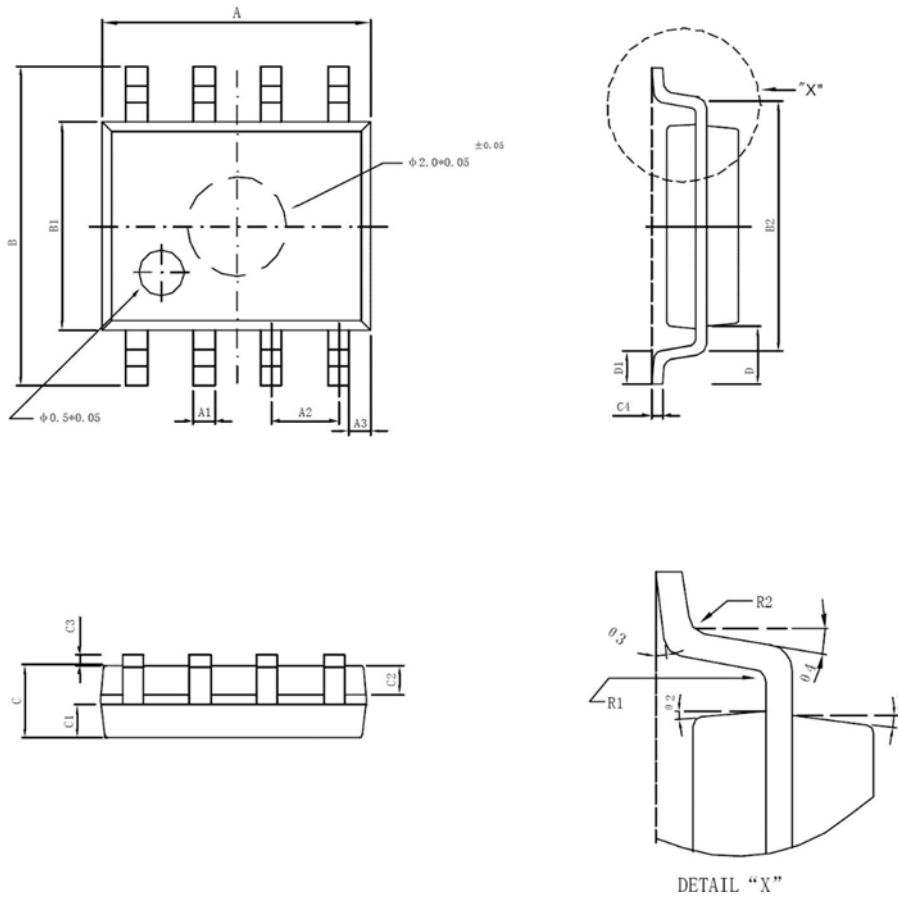


Figure 11 Typical Application Diagram

Transceivers are designed for bidirectional data communication on multi-point bus transmission lines. Figure 6 shows a typical network application power Road These devices can also be used as linear transponders with cable lengths longer than 4000 feet. In order to reduce reflection, terminal matching should be performed at both ends of the transmission line with their characteristic impedances, and the length of branch connections other than the trunk line should be as short as possible.

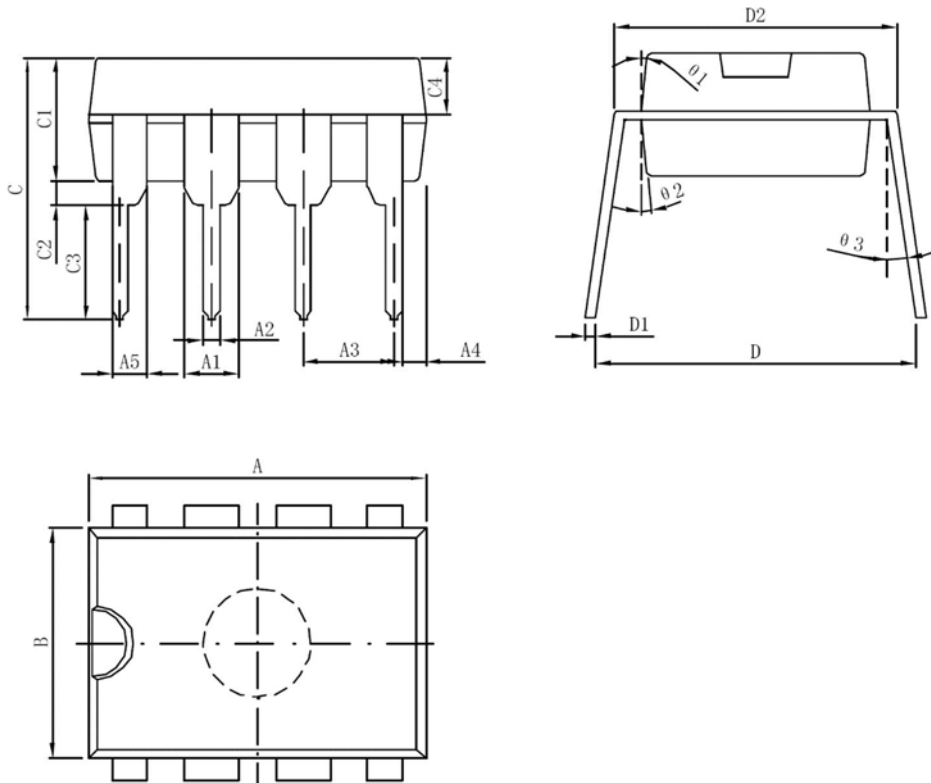


Package size (SOP8).



Marking	Min (mm)	Max (mm)	Marking	Min (mm)	Max (mm)
A	4.95	5.15	C3	0.10	0.20
A1	0.37	0.47	C4	0.20TYP	
A2	1.27TYP		D	1.05TYP	
A3	0.41TYP		D1	0.50TYP	
B	5.80	6.20	R1	0.07TYP	
B1	3.80	4.00	R2	0.07TYP	
B2	5.0TYP		θ1	17°TYP	
C	1.30	1.50	θ2	13°TYP	
C1	0.55	0.65	θ3	4°TYP	
C2	0.55	0.65	θ4	12°TYP	

Package size (DIP8)



Marking	Min (mm)	Max (mm)	Marking	Min (mm)	Max (mm)
A	9.30	9.50	C2	0.50	
A1	1.524		C3	3.3	
A2	0.39	0.53	C4	1.57TYP	
A3	2.54		D	8.20	8.80
A4	0.66TYP		D1	0.20	0.35
A5	0.99TYP		D2	7.62	7.87
B	6.3	6.5	θ1	8°TYP	
C	7.20		θ2	8°TYP	
C1	3.30	3.50	θ3	5°TYP	